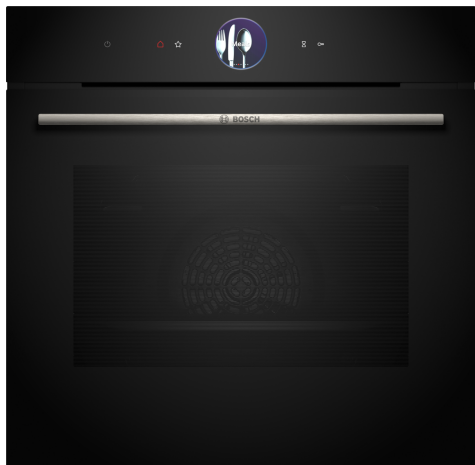


**Series 8, Built-in Oven, 60 x 60 cm,
Black
HBG7764B1**



A+



1 x enamel baking tray, 1 x combination grid, 1 x universal pan

HEZ327000 Pizza stone, HEZ32WA00 Wireless food thermometer, HEZ531010 Baking tray, non-stick ceramic coated, HEZ532010 Universal pan, non-stick ceramic coated, HEZ617000 Pizza pan, enamelled, HEZ629070 Air Fry & Grill tray, HEZ631070 Baking tray, enamelled, HEZ632070 Multipurpose pan, enamelled, HEZ633001 Lid for professional pan, enamelled, HEZ633070 Professional pan, enamelled, HEZ633073 Professional pan, enamelled, HEZ634000 Baking and roasting grid, HEZ635001 AirFry & Grill Set, HEZ636000 Glass pan, HEZ638070 Full ext rails, level independent, pyro, HEZ660060 Strip, HEZ664000 Baking and roasting grid, steam, HEZ915003 Glass roasting dish, 5,4 L, HEZG0AS00 Connecting cable 3m

The built-in oven with Digital Control Ring and TFT-touchdisplay, Assist function for meals, Air Fry, PerfectBake Plus, PerfectRoast Plus, Home Connect for control via the App.

- **Digital Control Ring:** the simple and innovative way to select oven settings.
- **TFT Touch Display Plus:** control with an innovative Digital Control Ring and enlarged TFT touchscreen
- **Air Fry Function:** for perfectly fried foods, such as vegetables and chips.
- **PerfectBake Plus:** regulates settings and tells you exactly when to remove dishes from the oven.
- **PerfectRoast Plus:** knows exactly when your roast is done.

Built-in / Free-standing: Built-in
 Integrated Cleaning system: Pyrolytic+Hydrolytic
 Min. required niche size for installation (HxWxD): 585-595 x 560-568 x 550 mm
 Dimensions: 595x594x548 mm
 Dimensions of the packed product (HxWxD): 670 x 670 x 680 mm
 Control Panel Material: Glass
 Door Material: Glass
 Net weight: 38.0 kg
 Usable volume of cavity: 71 l
 Heating modes:: 4D hotair, Defrost, Air fry, Full width grill, Hotair gentle, Half width grill, Conventional heat, Conventional heat gentle, Pizza setting, low temperature cooking, Bottom heat, Hot air grilling, pre-heating, warming
 Oven control: electronic
 Number of interior lights: 1
 Length electrical supply cord: 120.0 cm
 EAN code: 4242005326679
 Number of cavities (2010/30/EC): 1
 Energy efficiency class: A+
 Energy consumption per cycle conventional (2010/30/EC):0.87 kWh/cycle
 Energy consumption per cycle forced air convection (2010/30/EC):69 kWh/cycle
 Energy efficiency index (2010/30/EC):81.2 %
 Connection rating: 3600 W
 Fuse protection:16 A
 Voltage: 220-240 V
 Frequency: 50; 60 Hz
 Plug type: Gardy plug w/ earthing
 Included accessories: 1 x enamel baking tray, 1 x combination grid, 1 x universal pan



Series 8, Built-in Oven, 60 x 60 cm, Black HBG7764B1

The built-in oven with Digital Control Ring and TFT-touchdisplay, Assist function for meals, Air Fry, PerfectBake Plus, PerfectRoast Plus, Home Connect for control via the App.

Type of oven / heating system:

- Oven with 14 heating methods: 4D hot air, Conventional top and bottom heat, Hot air grilling, Variable full width grill, Half width grill, Pizza setting, Bottom heat, low temperature cooking, Defrost setting, Plate warming, Hold warm, Hotair gentle, Conventional heat gentle, Air fry
- Temperature range 30 °C - 300 °C
- Cavity volume: 71 l

Hook-in racks / rails

- Number of shelf levels: 5 PC
- Accessory, pyrolytic proof

Design:

- Touch control
- Digital Control Ring
- Cavity inner surface: enamel anthracite

Cleaning:

- Pyrolytic self-cleaning function
- hydrolyse program
- Full glass inner door

Comfort:

- Oven Assistant with Voice Control
- yes
- yes
- yes
- Supporting systems: Dish categories
- Rapid heating-up
- Electronic clock
- Temperature proposal
- Actual temperature display Heating-up control
- Drop down door, soft closing, soft opening
- LED light, Switch for oven illumination
- Integral cooling fan
- WLAN

Accessory:

- 1 x enamel baking tray, 1 x combination grid, 1 x universal pan

Comfort and Safety:

- 30 °C
- Low door temperature during pyrolytic cleaning
- Quadruple glazed door with heat reflective glass CoolTouch door
- door lock electronical
- Safety lock Automatic safety shut off residual heat indicator start button door contact switch

Technical Info:

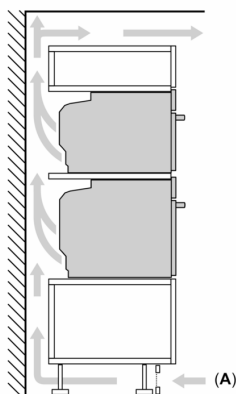
- Length of mains cable: 120 cm
- Nominal voltage: 220 - 240 V
- Total connected load electric: 3.6 KW
- Energy efficiency rating (acc. EU Nr. 65/2014): A+
- Energy consumption per cycle in conventional mode:0.87 kWh
- Energy consumption per cycle in fan-forced convection mode:0.69 kWh
- Number of cavities: 1 Heat source: electrical Cavity volume:71 l

Dimensions:

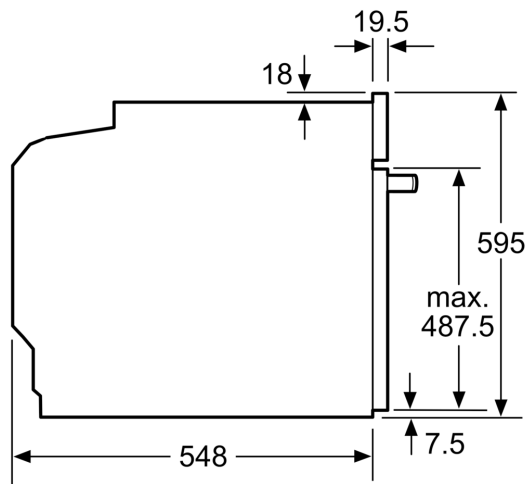
- Appliance dimension (hxwx): 595 mm x 594 mm x 548 mm
- Niche dimension (hxwx): 560 mm - 568 mm x 585 mm - 595 mm x 550 mm
- "Please reference the built-in dimensions provided in the installation drawing"

Series 8, Built-in Oven, 60 x 60 cm, Black HBG7764B1

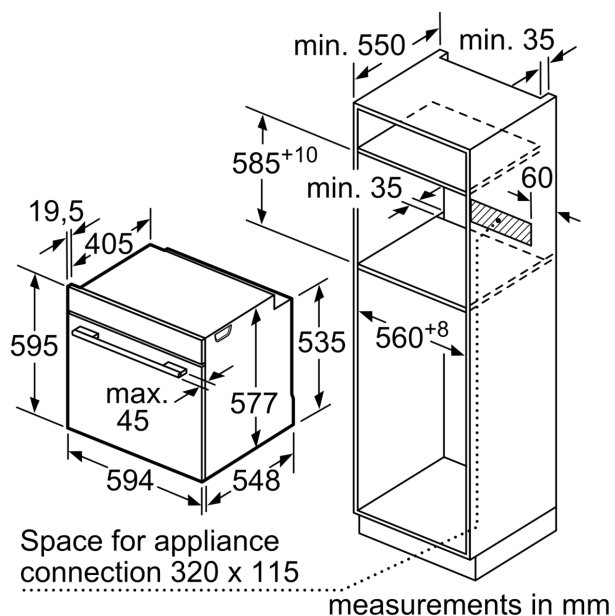
Installing two appliances on top of each other
other
Air exchange



A: Air inlet $\geq 200 \text{ cm}^2$



measurements in mm



If the appliance will be installed underneath a hob, the following worktop thicknesses (including substructure if necessary) must be taken into account.

Hob type	min. worktop thickness	
	fitted	flush
Induction hob	37 mm	38 mm
Full surface Induction hob	47 mm	48 mm
Gas hob	30 mm	38 mm
Electric hob	27 mm	30 mm

