

**Series 6, Built-in oven, 60 x 60 cm,
Black
HBJ558YB0Q**



The built-in oven with 3D hot air: achieve perfect baking and roasting results on up to three levels simultaneously.

- **LCD display control, white:** easy-to-use thanks to direct access to additional functions.
- **EcoClean Direct:** almost no cleaning is necessary thanks to a special coating of the rear and side wall and the roof that automatically absorbs grime and regeneration program.
- **Flap door with SoftClose:** the oven door closes especially gently and quietly.
- **2-stage normal telescopic rails:** for safe, easy insertion and removal of baking trays.
- **Dampened Hinges Softly and Quietly Guide the QuietClose® Door Shut.**

1 x enamel baking tray, 1 x grill tray, 1 x combination grid, 1 x universal pan

HEZ317000	Pizza pan, enamelled
HEZ327000	Pizza stone
HEZ425000	Grill tray
HEZ429001	Air Fry & Grill tray, anthracite
HEZ431002	Baking tray, enamelled
HEZ438301	3 level telescopic shelf rails
HEZ625071	Grill tray, anthracite
HEZ915003	Glass roasting dish, 5,4 L

Gross weight:	38.0 kg
Built-in / Free-standing:	Built-in
Integrated Cleaning system:	EcoClean Direct program
Min. required niche size for installation (HxWxD):	575-597 x 560-568 x 550 mm
Dimensions:	595 x 594 x 548 mm
Dimensions of the packed product (HxWxD):	657 x 646 x 672 mm
Control Panel Material:	Glass
Door Material:	Glass
Net weight:	35.8 kg
Usable volume of cavity:	66 l
Heating modes:	Defrost, Hotair gentle, Hot Air, Conventional heat, Pizza setting, Bottom heat, Hot air grilling, Full width variable grill
Number of interior lights:	1
Length electrical supply cord:	100.0 cm
Interior Lights - cavity 1:	1
Pull-out system:	2-level
Included accessories:	1 x enamel baking tray, 1 x grill tray, 1 x combination grid, 1 x universal pan
Broil Element Wattages cavity 1:	2800 W
Energy efficiency class:	A
Energy consumption per cycle conventional (2010/30/EC):	0.98 kWh/cycle
Energy consumption per cycle forced air convection (2010/30/EC):	0.79 kWh/cycle
Energy efficiency index (2010/30/EC):	95.2 %
Connection rating:	3300 W
Fuse protection:	16 A
Voltage:	220-240 V
Frequency:	50; 60 Hz
Plug type:	Gardy plug w/ earthing
Energy input:	Electric
Required cutout/niche size for installation (in):	x
Dimensions of the packed product:	25.86 x 25.43 x 26.45
Net weight:	79.000 lbs
Gross weight:	84.000 lbs
Length electrical supply cord:	100.0 cm
Net weight:	35.8 kg



Series 6, Built-in oven, 60 x 60 cm, Black HBJ558YB0Q

The built-in oven with 3D hot air: achieve perfect baking and roasting results on up to three levels simultaneously.

Type of oven / heating system:

- Oven with 8 heating methods: 3D Hot air plus, Conventional heat, Hot air grilling, Pizza setting, Bottom heat, Defrost, Hotair gentle, Full width variable grill
- Temperature range 50 °C - 275 °C
- Cavity volume: 67 l

Hook-in racks / rails

- 2 level telescopic shelf rails

Design:

- Rotary swivel

Cleaning:

- Ecolyse features: back panel, ceiling, side liners
- EcoClean
- Full glass inner door

Comfort:

- LCD display control (white)
- Electronic clock
- Bottom, Oven door with SoftClose, Soft opening
- Rapid heating-up
- Interior lighting
- Integral cooling fan
- Bar handle

Accessory:

- 1 x combination grid, 1 x enamel baking tray, 1 x grill tray, 1 x universal pan

Environment and Safety:

- Child lock
- Automatic switch off Start-/Stop button Door contact switch
- Maximum window temperature 40° C

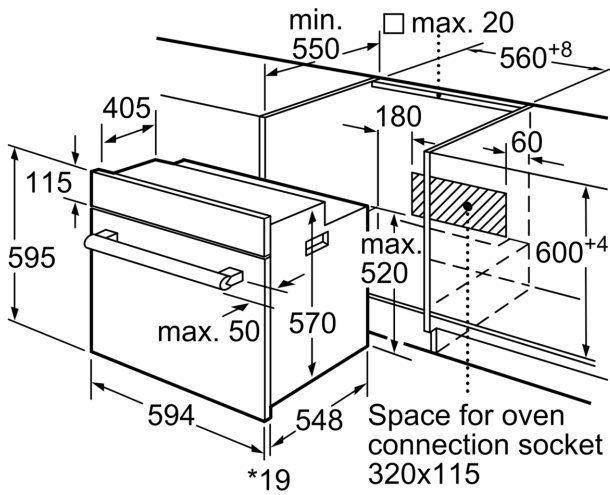
Technical Info:

- Length of mains cable: 100 cm
- Nominal voltage: 220 - 240 V
- Total connected load electric: 3.3 KW

Dimensions:

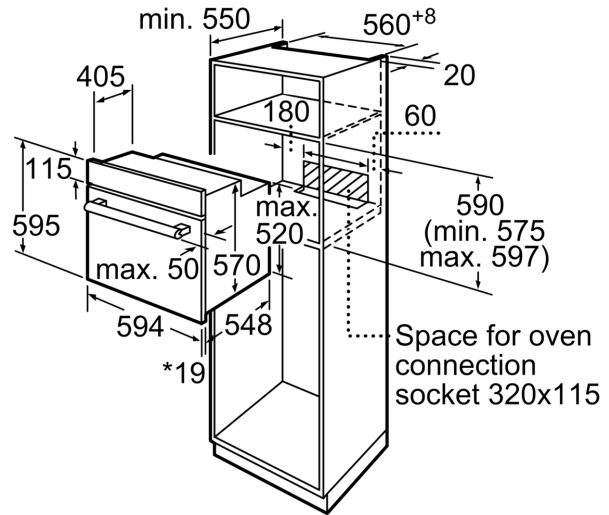
- Appliance dimension (H x W x D): 595 mm x 594 mm x 548 mm
- Niche dimension (hxwx): 560 mm - 568 mm x 450 mm - 455 mm x 550 mm
- "Please reference the built-in dimensions provided in the installation drawing"

**Series 6, Built-in oven, 60 x 60 cm,
Black
HBJ558YB0Q**



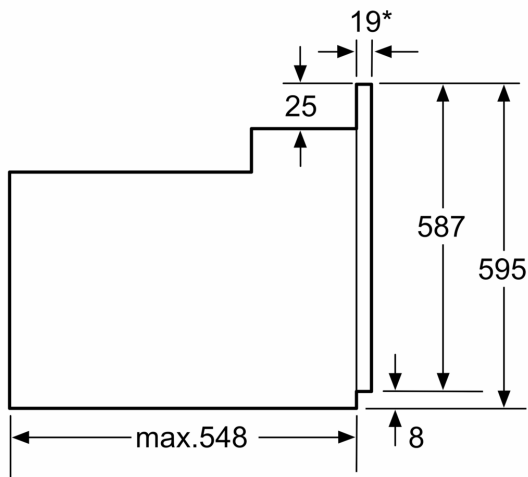
* 20 mm for metal fascias

measurements in mm



* 20 mm for metal fascias

measurements in mm



* 20 mm for metal fascias

Dimensions in mm