

**Series 6, Built-in oven, 60 x 60 cm,  
Stainless steel  
HBJ558YS0Q**



**The built-in oven with 3D hot air: achieve perfect baking and roasting results on up to three levels simultaneously.**

- **LCD display control, white:** easy-to-use thanks to direct access to additional functions.
- **EcoClean Direct:** almost no cleaning is necessary thanks to a special coating of the rear and side wall and the roof that automatically absorbs grime and regeneration program.
- **Flap door with SoftClose:** the oven door closes especially gently and quietly.
- **2-stage normal telescopic rails:** for safe, easy insertion and removal of baking trays.
- **Dampened Hinges Softly and Quietly Guide the QuietClose® Door Shut.**

1 x enamel baking tray, 1 x grill tray, 1 x combination grid, 1 x universal pan

HEZ317000	Pizza pan, enamelled
HEZ327000	Pizza stone
HEZ425000	Grill tray
HEZ429001	Air Fry & Grill tray, anthracite
HEZ431002	Baking tray, enamelled
HEZ438301	3 level telescopic shelf rails
HEZ625071	Grill tray, anthracite
HEZ915003	Glass roasting dish, 5,4 L

Gross weight: ..... 37.8 kg  
 Built-in / Free-standing: ..... Built-in  
 Integrated Cleaning system: ..... EcoClean Direct program  
 Min. required niche size for installation (HxWxD): 575-597 x 560-568 x 550 mm  
 Dimensions: ..... 595 x 594 x 548 mm  
 Dimensions of the packed product (HxWxD): ..... 665 x 650 x 670 mm  
 Control Panel Material: ..... Stainless steel  
 Door Material: ..... Glass  
 Net weight: ..... 35.6 kg  
 Usable volume of cavity: ..... 66 l  
 Heating modes: ...Defrost, Hotair gentle, Hot Air, Conventional heat, Pizza setting, Bottom heat, Hot air grilling, Full width variable grill  
 Number of interior lights: ..... 1  
 Length electrical supply cord: ..... 100.0 cm  
 Interior Lights - cavity 1: ..... 1  
 Pull-out system: ..... 2-level  
 Included accessories: ..... 1 x enamel baking tray, 1 x grill tray, 1 x combination grid, 1 x universal pan  
 Broil Element Wattages cavity 1: ..... 2800 W  
 Energy efficiency class: ..... A  
 Energy consumption per cycle conventional (2010/30/EC): ..... 0.98 kWh/cycle  
 Energy consumption per cycle forced air convection (2010/30/EC): ..... 0.79 kWh/cycle  
 Energy efficiency index (2010/30/EC): ..... 95.2 %  
 Connection rating: ..... 3300 W  
 Fuse protection: ..... 16 A  
 Voltage: ..... 220-240 V  
 Frequency: ..... 50; 60 Hz  
 Plug type: ..... GARDY plug w/ earthing  
 Energy input: ..... Electric  
 Required cutout/niche size for installation (in): ..... x  
 Dimensions of the packed product: ..... 26.18 x 25.59 x 26.37  
 Net weight: ..... 79.000 lbs  
 Gross weight: ..... 83.000 lbs  
 Length electrical supply cord: ..... 100.0 cm  
 Net weight: ..... 35.6 kg



## **Series 6, Built-in oven, 60 x 60 cm, Stainless steel HBJ558YS0Q**

**The built-in oven with 3D hot air: achieve perfect baking and roasting results on up to three levels simultaneously.**

---

### **Type of oven / heating system:**

- Oven with 8 heating methods: 3D Hot air plus, Conventional heat, Hot air grilling, Pizza setting, Bottom heat, Defrost, Hotair gentle, Full width variable grill
- Temperature range 50 °C - 275 °C
- Cavity volume: 67 l

### **Hook-in racks / rails**

- 2 level telescopic shelf rails

### **Design:**

- Rotary swivel

### **Cleaning:**

- Ecolyse features: back panel, ceiling, side liners
- EcoClean
- Full glass inner door

### **Comfort:**

- LCD display control (white)
- Electronic clock
- Bottom, Oven door with SoftClose, Soft opening
- Rapid heating-up
- Interior lighting
- Integral cooling fan
- Bar handle

### **Accessory:**

- 1 x grill tray, 1 x universal pan, 1 x combination grid, 1 x enamel baking tray

### **Environment and Safety:**

- Child lock
- Automatic switch off Start-/Stop button Door contact switch
- Maximum window temperature 40° C

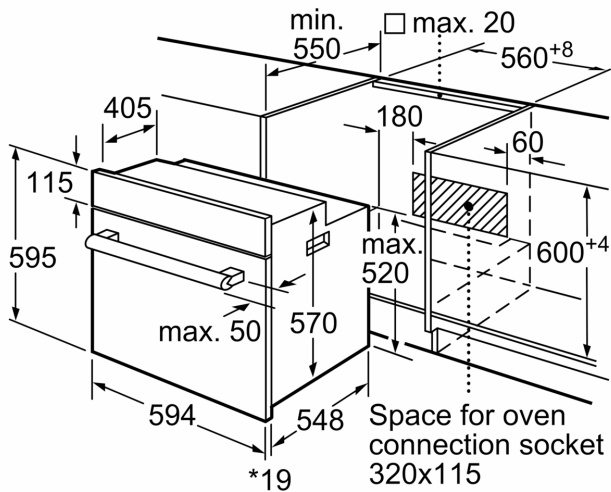
### **Technical Info:**

- Length of mains cable: 100 cm
- Nominal voltage: 220 - 240 V
- Total connected load electric: 3.3 KW

### **Dimensions:**

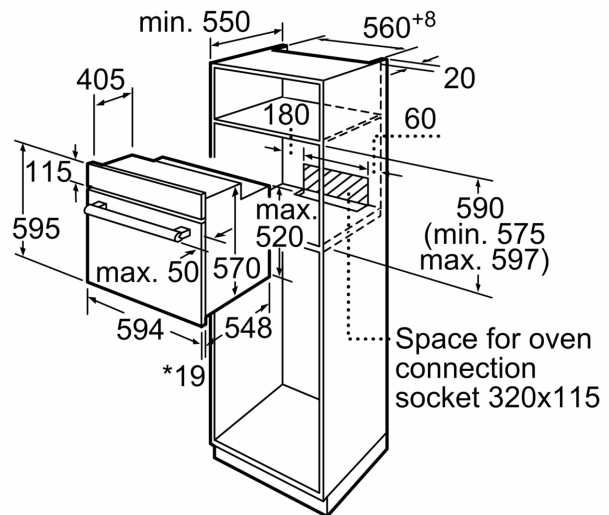
- Appliance dimension (H x W x D): 595 mm x 594 mm x 548 mm
- Niche dimension (hxwx): 560 mm - 568 mm x 450 mm - 455 mm x 550 mm
- "Please reference the built-in dimensions provided in the installation drawing"

**Series 6, Built-in oven, 60 x 60 cm,  
Stainless steel  
HBJ558YS0Q**



\* 20 mm for metal fascias

measurements in mm



\* 20 mm for metal fascias

measurements in mm



\* 20 mm for metal fascias

Dimensions in mm