

Series 8, Built-in oven with microwave function, 60 x 60 cm, Stainless steel HMG636BS1



1 x enamel baking tray, 1 x combination grid, 1 x universal pan

HEZ327000 Pizza stone, HEZ531010 Baking tray, non-stick ceramic coated, HEZ532010 Universal pan, non-stick ceramic coated, HEZ617000 Pizza pan, enamelled, HEZ625071 Grill tray, anthracite, HEZ631070 Baking tray, enamelled, HEZ632070 Multipurpose pan, enamelled, HEZ633001 Lid for professional pan, enamelled, HEZ633070 Professional pan, enamelled, HEZ634080 Baking and roasting grid, microwave, HEZ635000 Barbecue-Set, HEZ636000 Glass pan, HEZ660050 Cover Strip, HEZ664000 Baking and roasting grid, steam, HEZ915003 Glass roasting dish, 5,4 L, HEZG0AS00 Connecting cable 3m

The built-in oven with microwave function: you get delicious baked and roasted foods in a very short time.

- **Microwave function:** for quick warming up or for fast cooking in combination with hot air.
- **4D Hot Air:** even heat distribution for perfect results – on any level.
- **TFT touchscreen control:** easy-to-use thanks to the control ring with full text and images.
- **EcoClean Direct:** almost no cleaning is necessary thanks to a special coating of the rear wall that automatically absorbs grime.
- **Flap door with SoftOpen and SoftClose:** the oven door opens and closes especially gently and quietly.

Additional function: Microwave combination
Type of control: Electronic
Dimensions: 595x594x548 mm
Cavity dimensions: 357.0 x 480 x 392.0 mm
Length electrical supply cord: 120.0 cm
Net weight: 42.2 kg
Gross weight: 44.6 kg
Max. microwave power level: 800 W
Number of Power Levels: 5
Turntable: No
Cavity material: Enamelled steel
Door opening: Handle
Clock: Yes
Included accessories:	1 x enamel baking tray, 1 x combination grid, 1 x universal pan
Height of the appliance: 595 mm
Width of the appliance: 594 mm
Depth of the product: 548 mm
Max. microwave power level: 800 W
Connection rating: 3600 W
Fuse protection: 16 A
Voltage: 220-240 V
Frequency: 60; 50 Hz
Plug type: Gardy plug w/ earthing
Required cutout/niche size for installation (in): X
Dimensions of the packed product: 26.37 x 26.37 x 26.77
Net weight: 93.000 lbs
Gross weight: 98.000 lbs





Series 8, Built-in oven with microwave function, 60 x 60 cm, Stainless steel HMG636BS1

**The built-in oven with microwave function:
you get delicious baked and roasted foods
in a very short time.**

Type of oven / heating system:

- Intelligent inverter technology: maximum output power will be regulated to 600 W when used in longer operation
- Oven with microwave with 9 heating methods:
- 4D hot air, Hotair Eco., Conventional heat, Conventional heat ECO, Hot air grilling, Full width grill, Half width grill, Pizza setting, Bottom heat
- Additional heating methods with microwave: Microwave, Combi microwave variable
- Cavity volume: 67 l
- Temperature range 30 °C - 300 °C

Design:

- Rotary swivel
- Bar handle

Cleaning:

- Ecolyse features: back panel, ceiling, side liners

Comfort:

- Supporting systems: Programs
- Electronic clock
- Rapid heating-up
- Interior lighting
- Temperature proposal
- Actual temperature display heating-up control Sabbath setting

Hook-in racks / rails

- Number of shelf levels: 5 PC

Accessory:

- 1 x universal pan, 1 x enamel baking tray, 1 x combination grid

Environment and Safety:

- Maximum window temperature 40° C
- Child lock
- Automatic switch off Start-/Stop button Door contact switch
- Integral cooling fan

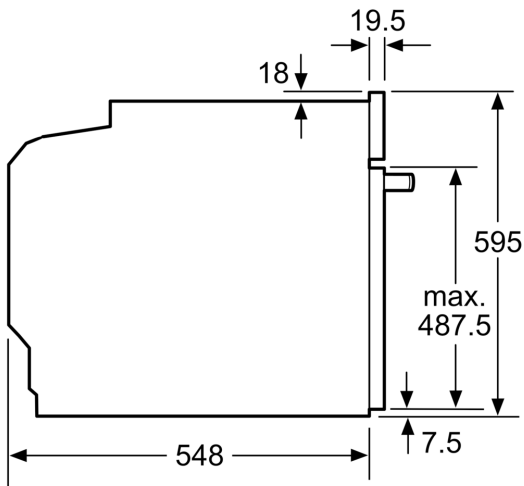
Technical Info:

- Length of mains cable: 120 cm
- Nominal voltage: 220 - 240 V
- Total connected load electric: 3.6 KW

Dimensions:

- Appliance dimension (H x W x D): 595 mm x 594 mm x 548 mm
- Niche dimension (hxwxd): 560 mm - 568 mm x 450 mm - 455 mm x 550 mm
- "Please reference the built-in dimensions provided in the installation drawing"

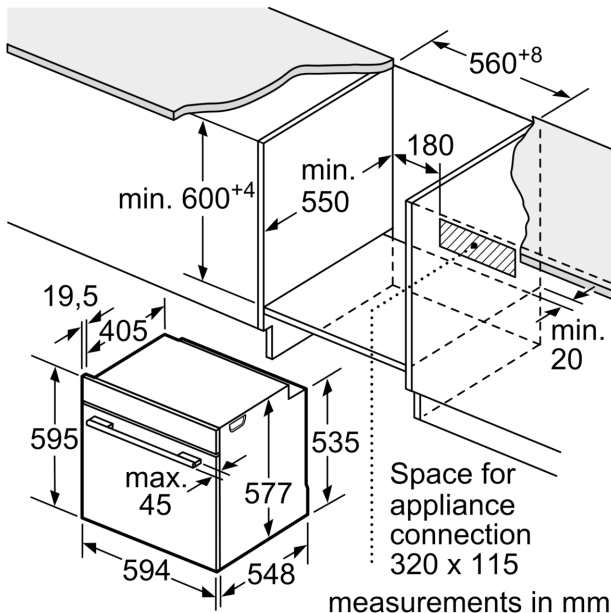
**Series 8, Built-in oven with
microwave function, 60 x 60 cm,
Stainless steel
HMG636BS1**



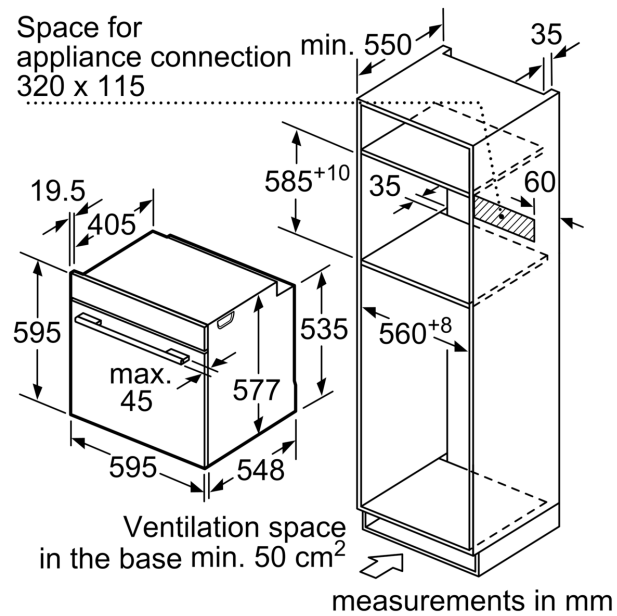
measurements in mm

If the appliance will be installed underneath a hob, the following worktop thicknesses (including substructure if necessary) must be taken into account.

Hob type	min. worktop thickness	
	fitted	flush
Induction hob	37 mm	38 mm
Full surface Induction hob	47 mm	48 mm
Gas hob	30 mm	38 mm
Electric hob	27 mm	30 mm



measurements in mm



measurements in mm