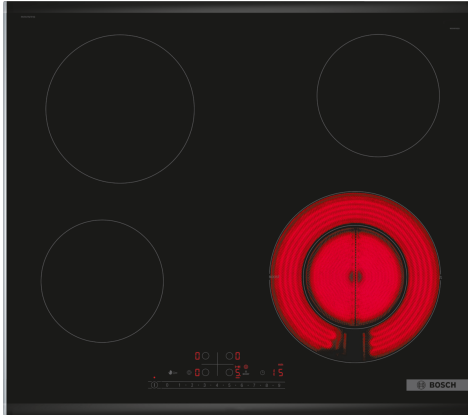


Series 6, Electric Hob, 60 cm, Black, PKF675FP2E



HEZ32WA00	Wireless food thermometer
HEZ392617	Intermediate bottom
HEZ394301	Connecting strip
HEZ9FE280	Iron pan Ø 18 / 28 cm
HEZ9SE030	Set of 2 pots and 1 pan

The glass-ceramic radiant hob: makes cooking and cleaning especially easy.

- **DirectSelect:** Direct, simple selection of the desired cooking zone, power and additional functions.
- **ReStart:** if something boils over, the cooktop automatically turns itself off and saves the last selected setting.
- **ComfortProfile:** Elegant, appealing design with bevelled front and metal strips on the side.
- **PowerBoost:** selectable boost in power output for a 20% shorter time to boiling.
- **ChildLock:** locks the control panel to prevent accidental changes in settings.

Product name/family: Cooking zone ceramic
 Built-in / Free-standing: Built-in
 Energy input: Electric
 Total number of positions that can be used at the same time: 4
 Min. required niche size for installation (HxWxD): 44 x 560-560 x 490-500 mm
 Width of the appliance: 606 mm
 Dimensions: 44x606x527 mm
 Dimensions of the packed product (HxWxD): 100 x 750 x 590 mm
 Net weight: 7.7 kg
 Gross weight: 8.4 kg
 Residual heat indicator: yes
 Location of control panel: Front
 Basic surface material: Ceramic
 Color of surface: Black, Alu, brushed
 EAN code: 4242005280513
 Voltage: 220-240 V
 Frequency: 50; 60 Hz



Series 6, Electric Hob, 60 cm, Black, PKF675FP2E

The glass-ceramic radiant hob: makes cooking and cleaning especially easy.

- 60 cm: space for 4 pots or pans.

Flexibility of cooking zones

- Ring zone double: use regular or larger cookware on the expandable cooking zone.
- Cooking zone front left: 145 mm, 1.2 KW
- Cooking zone rear left: 180 mm, 2 KW
- Cooking zone rear right: 145 mm, 1.2 KW
- Cooking zone front right: 120 mm, 210 mm, 0.8 KW (max. power 2.6 KW)

Comfort & Convenience

- TouchControl MultiTouch: directly control the power with the imprinted touch bar.
- Variable 17-stage power settings for each zone: precisely adapt the heat with 17 power levels (9 main levels and 8 intermediate levels).
- on device: switches off the cooking zone at the end of the time set (e.g. for boiled eggs).
- on device: an alarm sounds at the end of the time set (e.g. for pasta).

Time saving & efficiency

- PowerBoost function in the front right zone: boil water more quickly thanks to 20% more energy than at the highest standard level.
- yes: in case of unintentional switch-off, restore all previous settings by switching on the hob again within 4 seconds.

Design

- Facette front and rear, side profiles

Safety

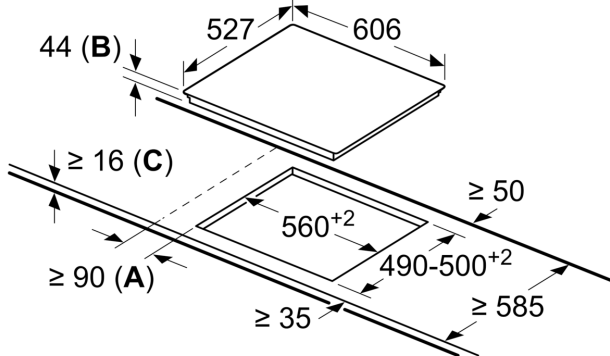
- 2 stage Hh residual heat indicator for each zone: indicates which cooking zones are still hot or warm.
- Safety lock: prevent unintended activation of the hob.
- Freeze function: wipe overboiled liquids without unintentionally changing settings (blocking all touch buttons for 30 seconds).
- Main on/off switch: switch off all cooking zones at the touch of a button.
- Power on indicator light: indicates if the hob is heating.
- Automatic safety switch-off: for safety reasons, heating stops after a preset time without interaction (customizable).
- yes: shows the electricity consumption of the last cooking process.

Installation

- Dimensions of the product (HxWxD mm): 44 x 606 x 527
- Required niche size for installation (HxWxD mm) : 44 x 560 x (490 - 500)
- Min. worktop thickness: 16 mm
- Connected load: 7000 W

**Series 6, Electric Hob, 60 cm, Black,
PKF675FP2E**

measurements in mm



- A:** Minimum distance from the hob cut-out to the wall.
- B:** Recessed depth
- C:** With fitted oven underneath min. 20, possibly more; see space requirements for the oven.