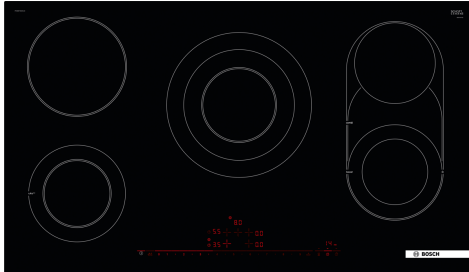


Series 8, Electric Hob, 90 cm, Black, PKM975DK1D



The glass-ceramic radiant hob: makes cooking and cleaning especially easy.

- **DirectSelect Premium:** Direct, simple selection of the desired cooking zone, power and additional functions.
- **PerfectFry:** For perfect browning of roasted foods thanks to sensor control with 5 power levels.
- **PowerBoost:** selectable boost in power output for a 20% shorter time to boiling.
- **ReStart:** if something boils over, the cooktop automatically turns itself off and saves the last selected setting.
- **ChildLock:** locks the control panel to prevent accidental changes in settings.

| | |
|-----------|--|
| HEZ32WA00 | Wireless food thermometer |
| HEZ390011 | Stainless Steel roaster with glass lid |
| HEZ390090 | Wok Set consisting of 3 Items |
| HEZ390220 | System pan diameter 19 cm |
| HEZ390512 | Teppan Yaki (large) |
| HEZ390522 | Griddle Plate |
| HEZ392900 | Intermediate bottom |
| HEZ394301 | Connecting strip |
| HEZ9FE280 | Iron pan Ø 18 / 28 cm |
| HEZ9SE030 | Set of 2 pots and 1 pan |

Product name/family: Cooking zone ceramic
 Built-in / Free-standing: Built-in
 Energy input: Electric
 Total number of positions that can be used at the same time: 5
 Min. required niche size for installation (HxWxD): 44 x 880-880 x 500-500 mm
 Width of the appliance: 916 mm
 Dimensions: 44 x 916 x 527 mm
 Dimensions of the packed product (HxWxD): ... 100 x 1130 x 620 mm
 Net weight: 13.0 kg
 Gross weight: 14.8 kg
 Residual heat indicator: yes
 Location of control panel: Front
 Basic surface material: Ceramic
 Color of surface: Black, Alu, brushed
 EAN code: 4242002929040
 Voltage: 220-240 V
 Frequency: 60; 50 Hz



Series 8, Electric Hob, 90 cm, Black, PKM975DK1D

The glass-ceramic radiant hob: makes cooking and cleaning especially easy.

Design:

- Facette front and rear, side profiles

Comfort and Safety:

- 5 HighSpeed cooking zones, including:
 - 1 dual zone
 - 1 triple zone
 - 1 CombiZone
- Variable 17-stage power settings for each zone
- Electronic power level display
- Timer with automatic shut off for all zones
- Buzzer
- count-up timer, per cooktop
- Keep warm function
- Freeze function
- Restart function

Environment+safety:

- Main switch
- Power on indicator light
- 2 stage Hh residual heat indicator for each zone
- Individual tunable energy consumption display

Professional equipment:**Quickness:**

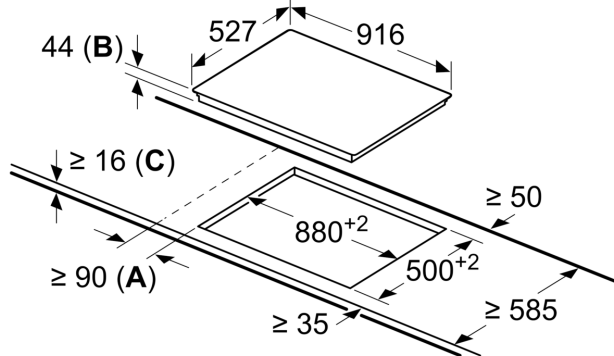
- PowerBoost function

Measurements

- Appliance dimensions: (W/D) 916 mm x 527 mm
- Installation dimensions: (ID/W/D) 44 mm x 880 mm x 500 mm
- Min. worktop thickness: 16 mm
- Total connected load: 10700 W

**Series 8, Electric Hob, 90 cm, Black,
PKM975DK1D**

measurements in mm



- A:** Minimum distance from the hob cut-out to the wall.
- B:** Recessed depth
- C:** With fitted oven underneath min. 20, possibly more; see space requirements for the oven.